

**New model
Just released!**

Optical Fiber Fusion Splicer

FSM-50S

[Fujikura FSM-50S Fusion Splicers Specs](#)

Provided by www.AAATesters.com

New standard...



Features

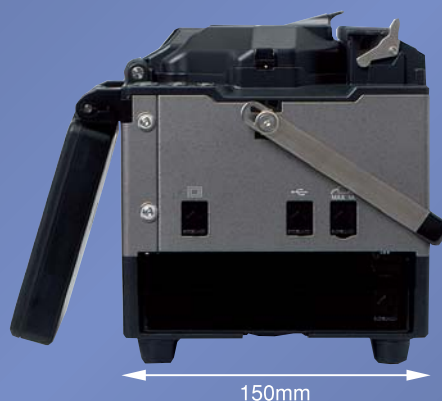
- Core to core fiber alignment system(PAS)
- 9 sec. splice time & 35 sec. tube-heat time
- Dual-directional operating system
- Arc calibration-free system
- Large capacity slot-in batteries

Fujikura

This is a new standard of core to core aligning arc fusion splicer.

FSM-50S

A number of improvements have been added to the performance-proven Profile Alignment System (PAS) platform, resulting in the smallest and lightest package of its kind. With improved splice & tube-heat time, the splicing operation is the world's fastest truly optimized for field use. Other valuable features include an ergonomic design, reduced numbers of operating steps and a powerful battery extend the boundaries of traditional field fusion splicing performance. The movable monitor and dual-direction operating system essentially gives the operator a choice of two splicers. With these features, the FSM-50S is now more than a tool, it is a work of art.



Large capacity battery

Two types of slot-in batteries BTR-06S

Arc calibration-free

Time-consuming arc calibration is no longer needed for arc calibration.



Dual-directional operating system

The reversible monitor accommodates the user's ergonomic preference. With a control panel on each side, the ease of use is phenomenal.

Splice time of 9 sec.

Improved computer processing and newly introduced stepping motor help achieve 9 sec. splice time with SM fiber.

Tube-heat time of 35 sec.

Advanced heater design shortens tube-heat time to 35 sec. with FP-03 protection sleeve.



ery option

and BTR-06L are available.

system

nger required with real-time

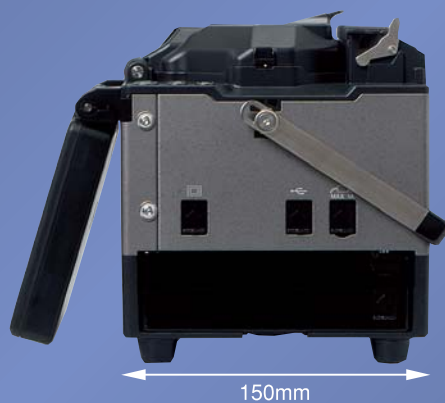
Optical Fiber Fusion Splicer

FSM-50S

This is a new standard of core to core aligning arc fusion splicer.

FSM-50S

A number of improvements have been added to the performance-proven Profile Alignment System (PAS) platform, resulting in the smallest and lightest package of its kind. With improved splice & tube-heat time, the splicing operation is the world's fastest truly optimized for field use. Other valuable features include an ergonomic design, reduced numbers of operating steps and a powerful battery extend the boundaries of traditional field fusion splicing performance. The movable monitor and dual-direction operating system essentially gives the operator a choice of two splicers. With these features, the FSM-50S is now more than a tool, it is a work of art.



Dual-directional operating system

The reversible monitor accommodates the user's ergonomic preference. With a control panel on each side, the ease of use is phenomenal.

Splice time of 9 sec.

Improved computer processing and newly introduced stepping motor help achieve 9 sec. splice time with SM fiber.

Tube-heat time of 35 sec.

Advanced heater design shortens tube-heat time to 35 sec. with FP-03 protection sleeve.

Large capacity battery option

Two types of slot-in batteries BTR-06S and BTR-06L are available.

Arc calibration-free system

Time-consuming arc calibration is no longer required with real-time arc calibration.

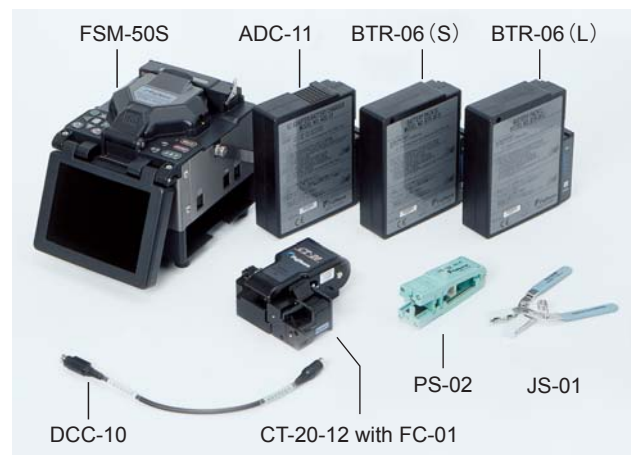


Optical Fiber Fusion Splicer
FSM-50S

SPECIFICATIONS	
Applicable fibers	SM (ITU-T G.652) , MM (ITU-T G.651) , DS (ITU -T G.653) , NZDS (ITU-T G.655)
Fiber Count	Single
Cladding diameter	80 to 150 μ m
Coating diameter	100 to 1000 μ m
Fiber cleaved length	8 to 16mm with coating diameter of 250 μ m or less. 16mm with coating diameter of 250 to 1000 μ m. Optional set-plate for 8 to 16mm with coating diameter of 250 to 1000 μ m is available.
Actual average splice loss	0.02dB with SM, 0.01dB with MM, 0.04dB with DS, 0.04dB with NZDS. Measured by cut-back method relevant to ITU-T and IEC standards.
Splice time	Typical 9sec. with standard SM fiber.
Return loss	>>60dB
Splicing modes	40 user programmable modes and up to 60 modes for reference (factory predetermined setting) .
Splice loss estimate	Available
Attenuation splice function	Intentional high splice loss of 0.1dB to 15dB (0.1dB step) can be made for an in-line fixed attenuator.
Storage of splice result	The last 2000 results to be stored in the internal memory.
Fiber display	X / Y, or both X and Y simultaneously.
Magnification	295x for single X or Y view, or 147x for X and Y view.
Viewing method	Two CMOS cameras and 5.6 inch color LCD monitor.
Operating condition	0 to 5000m above sea level, 0 to 95%RH and -10 to 50 $^{\circ}$ C respectively.
Mechanical proof test	2N (standard) / 4.4N (option)
Tube heater	Built - in tube heater with 10 heating modes and up to 20 modes for reference.
Tube heat time	Typical 35sec. with FP-03 protection sleeve.
Applicable protection sleeve length	60mm, 40mm and a series of micro sleeves.
No.of splice/heating with battery	Typical 80 cycles with BTR-06 (S) / Typical 160 cycles with BTR-06 (L) .
Power supply	Auto voltage selection from 100 to 240Va.c. or 10 to 15Vd.c. with ADC-11. 13.2Vd.c. with BTR-06 (S / L) .
Terminals	USB 1.1 (USB-B type) for PC communication. Video terminal RCA video jack / NTSC.
Wind protection	Max. wind velocity of 15m/s.
Dimensions	150W \times 150D \times 150H (mm)
Weight	2.3kg (2.8kg including AC adapter ADC-11)

STANDARD PACKAGE		
Description	Model No.	Q'ty
Arc Fusion Splicer	FSM-50S	1pc.
AC adapter / Battery charger / DC inlet	ADC-11	1pc.
Carrying case	CC-12	1pc.
Monitor cover	MC-02	1pc.
AC power cord	ACC-XX	1pc.
Spare electrodes	ELCT2-20A	1pair
Instruction manual	-	1pc.

OPTIONAL ITEMS	
Description	Model No.
Detachable battery pack	BTR-06 (S) / BTR-06 (L)
Battery charge cord	DCC-10
DC power cord	DCC-12 (Cigarette lighter socket type)
	DCC-13 (Alligator clamp type)
J-plate	JP-04
Working table (1pc.)	WT-06
Working table support (1pc.)	WTS-06
Magnifying glass	MGS-05
High precision fiber cleaver	CT-20 Series
Primary coat stripper	PS-02
Nylon jacket stripper	JS-01
Tube heater	SH-7
Alcohol dispenser	HR-1
Protection sleeves	FP-03 / 03 (L=40) , FPS01 Series



Accessories

Specifications and descriptions are subject to change without prior notice.

Fujikura Ltd.

Fujikura Asia Ltd.

Fujikura Europe Ltd.

AFL Telecommunications

1-5-1, kiba, koto-ku, Tokyo 135-8512, Japan

Phone : +81-3-5606-1164 Fax : +81-3-5606-1534 <http://www.fujikura.co.jp>

460 Alexandra Road #22-02 PSA Bldg., Singapore 119963

Phone : +65-6-278-8955 Fax : +65-6-278-0965 <http://www.fujikura.com.sg>

C51 Barwell Business Park, Leatherhead Road, Chessington, Surrey KT9 2NY, UK

Phone : +44-208-240-2000 Fax : +44-208-240-2010 <http://www.fujikura.co.uk>

260, Parkway East, Duncun, SC29334, USA

Phone : +1-800-235-3423 Fax : +1-800-926-0007 <http://www.afitele.com>